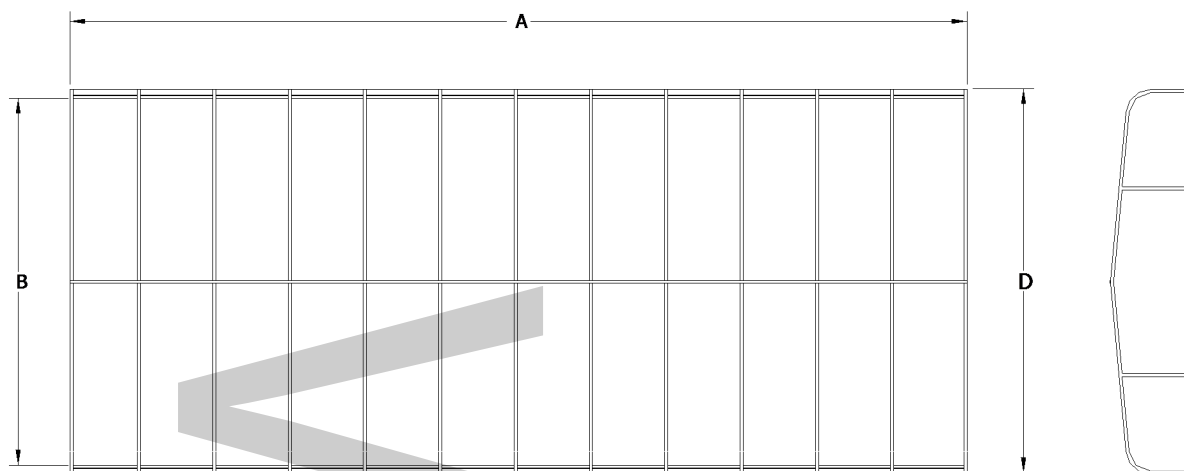


Call Steve: 712-448-0521



Craftlander™ High Top Zipper Frame



***ALL MEASUREMENTS (±1")**

PART NO.	SIZE	OVERALL LENGTH "A"	INSIDE WIDTH "B"	OUTSIDE WIDTH "D"
CLTZ2200114	22' x 114"	22'	108"	114"
CLTZ2400114	24' x 114"	24'	108"	114"
CLTZ2600114	26' x 114"	26'	108"	114"
CLTZ2800114	28' x 114"	28'	108"	114"
CLTZ3000114	30' x 114"	30'	108"	114"
CLTZ2200126	22' x 126"	22'	120"	126"
CLTZ2400126	24' x 126"	24'	120"	126"
CLTZ2600126	26' x 126"	26'	120"	126"
CLTZ2800126	28' x 126"	28'	120"	126"
CLTZ3000126	30' x 126"	30'	120"	126"

ATTACHMENT

Continuous bungee on each side and end connect by s-hook to holes punched in each bow

OR

Continuous bungee loops over plastic pucks at each bow

****If dimensions don't match above, fill out detail on next page**

CONTACT INFORMATION

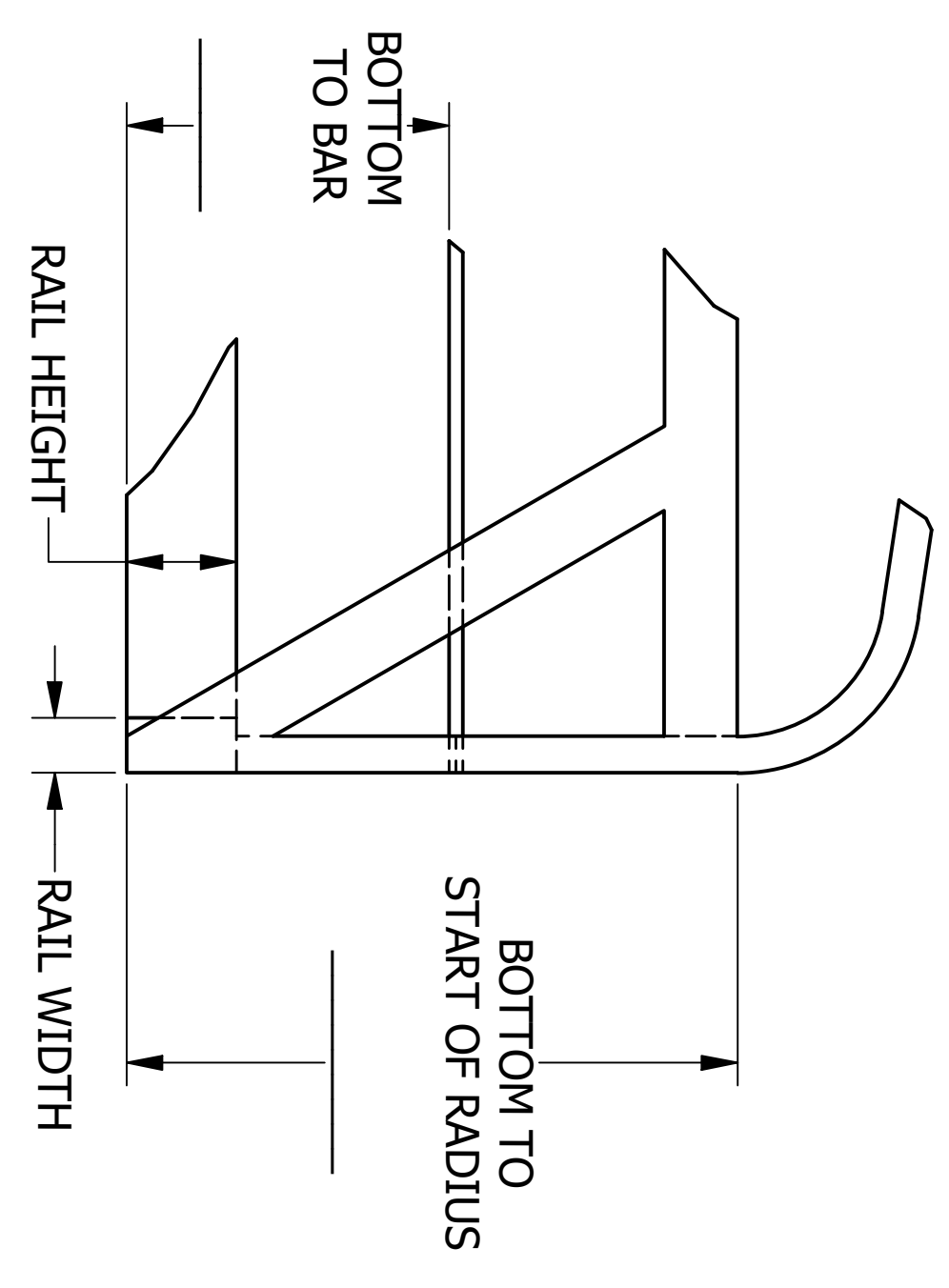
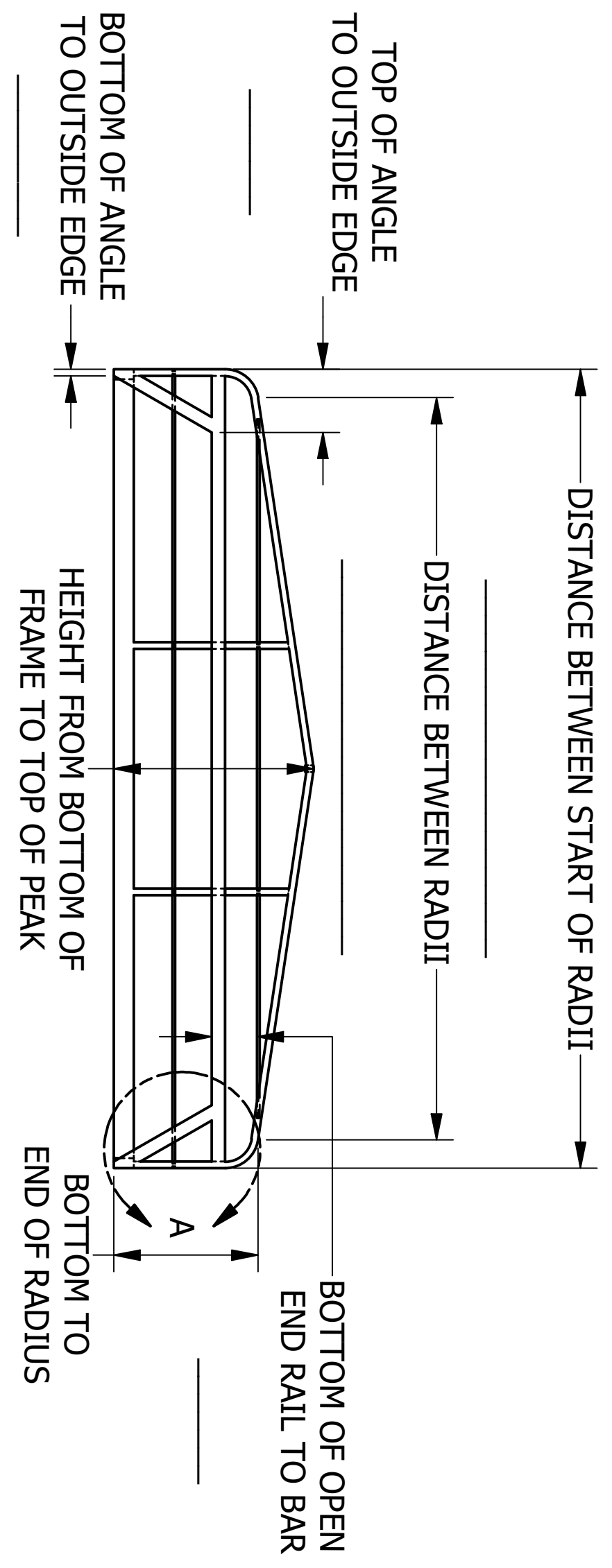
Name _____
 Address _____
 City _____ State _____ Zip _____
 Phone _____ Fax _____
 Boat Lift Brand _____

OUTSIDE DIMENSIONS (See Figure 1)

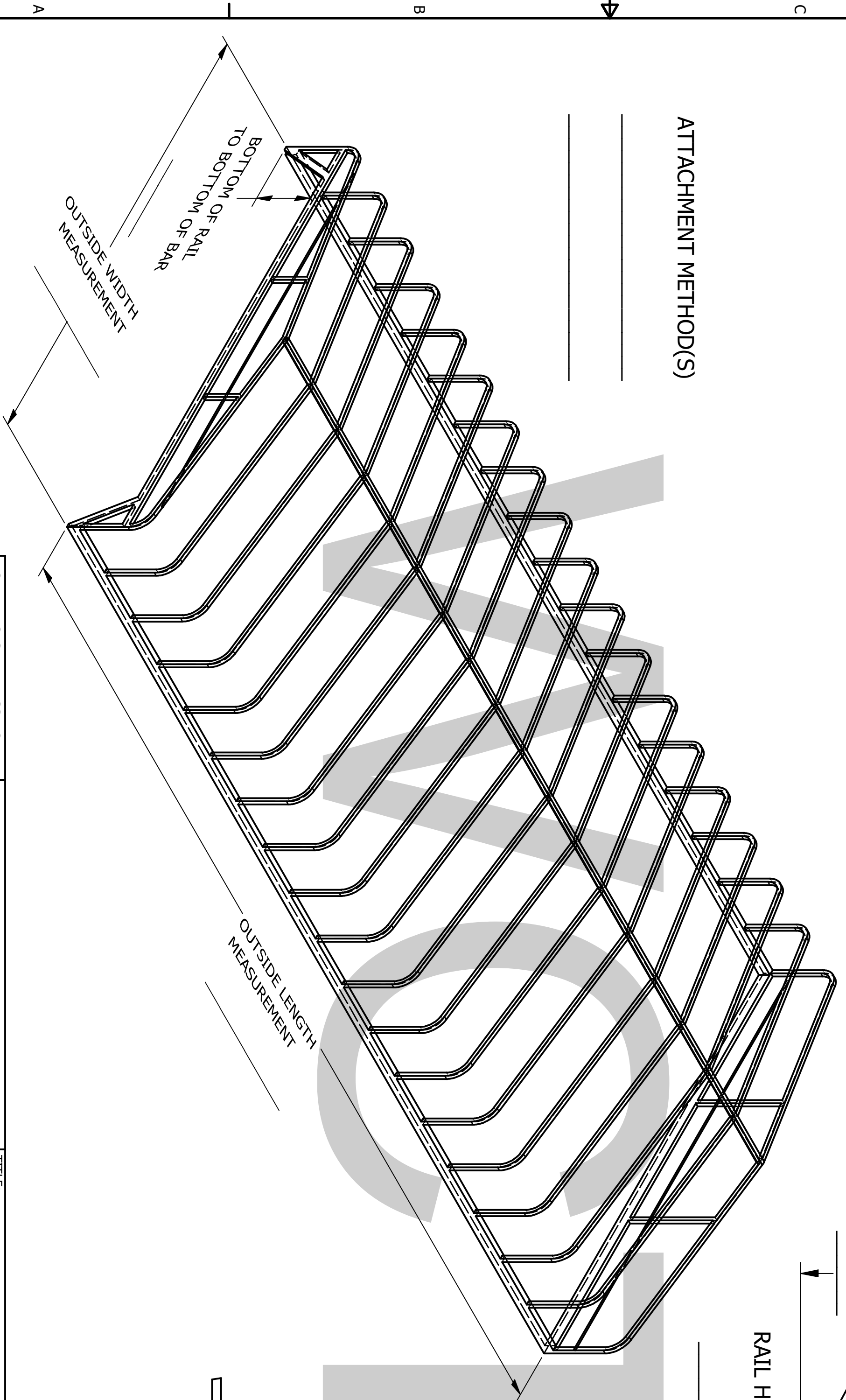
- A _____ OVERALL LENGTH OF FRAME
- B _____ INSIDE WIDTH OF FRAME
- C _____ LENGTH OF SIDE RAILS (W/O ENDS)
- E _____ OUTSIDE WIDTH OF FRAME
- _____ COLOR CODE

NOTES

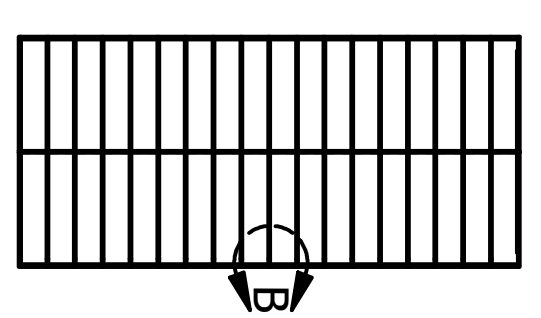
REVISIONS				ISSUER
REV	ECN	DATE	DESCRIPTION	
A	EC-00852	4/18/2019	RELEASE	RML



ATTACHMENT METHOD(S)



TOTAL NUMBER OF BOWS



DETAIL B

TOLERANCES - UNLESS NOTED

DECIMAL ±

FRACTION ±

ANGLE ±

NOTICE THIS ILLUSTRATION IS THE PROPERTY OF RUSH-CO. AND MUST NOT BE USED IN ANY WAY DETRIMENTAL TO RUSH-CO'S INTERESTS.

TRADING COMPANY WHISKEY CREEK AN INDEPENDENT MEMBER COMPANY

TITLE: **CRAFTLANDER HIGH TOP OPEN END FRAME DETAIL SHEET**

DRFT: robert.lambert DATE: 4/18/2019

ENGR: CRH DATE: 4/18/2019

SCALE: SHEET 1 OF 1

PART NO.: **F-169**

SIZE: **C**