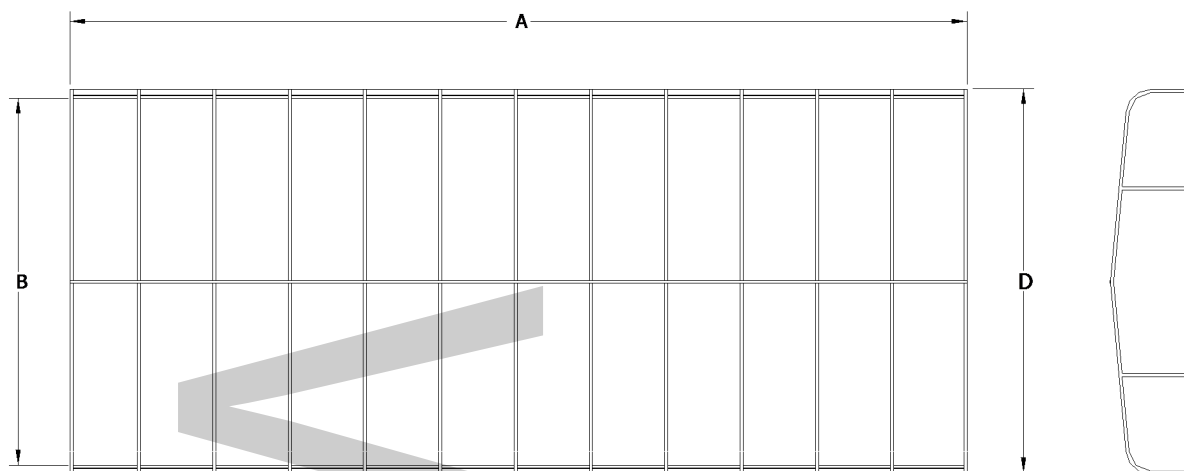


Call Steve: 712-448-0521



Craftlander™ High Top Frame



***ALL MEASUREMENTS (±1")**

PART NO.	SIZE	OVERALL LENGTH "A"	INSIDE WIDTH "B"	OUTSIDE WIDTH "D"
CLT2200114	22' x 114"	22'	108"	114"
CLT2400114	24' x 114"	24'	108"	114"
CLT2600114	26' x 114"	26'	108"	114"
CLT2800114	28' x 114"	28'	108"	114"
CLT3000114	30' x 114"	30'	108"	114"
CLT2200126	22' x 126"	22'	120"	126"
CLT2400126	24' x 126"	24'	120"	126"
CLT2600126	26' x 126"	26'	120"	126"
CLT2800126	28' x 126"	28'	120"	126"
CLT3000126	30' x 126"	30'	120"	126"

ATTACHMENT

Continuous bungee on each side and end connect by s-hook to holes punched in each bow

OR

Continuous bungee loops over plastic pucks at each bow

****If dimensions don't match above, fill out detail on next page**

CONTACT INFORMATION

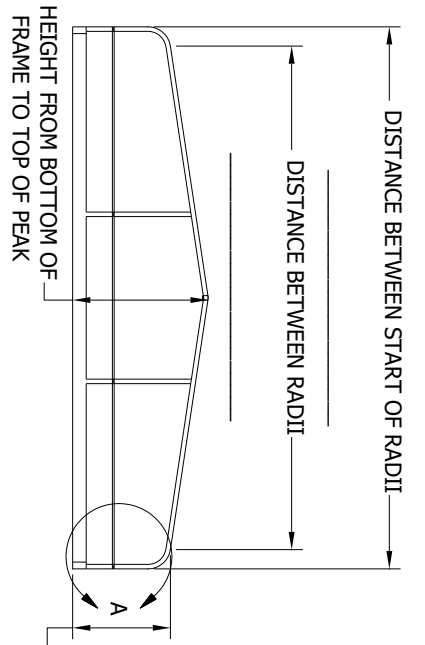
Name _____
 Address _____
 City _____ State _____ Zip _____
 Phone _____ Fax _____
 Boat Lift Brand _____

OUTSIDE DIMENSIONS (See Figure 1)

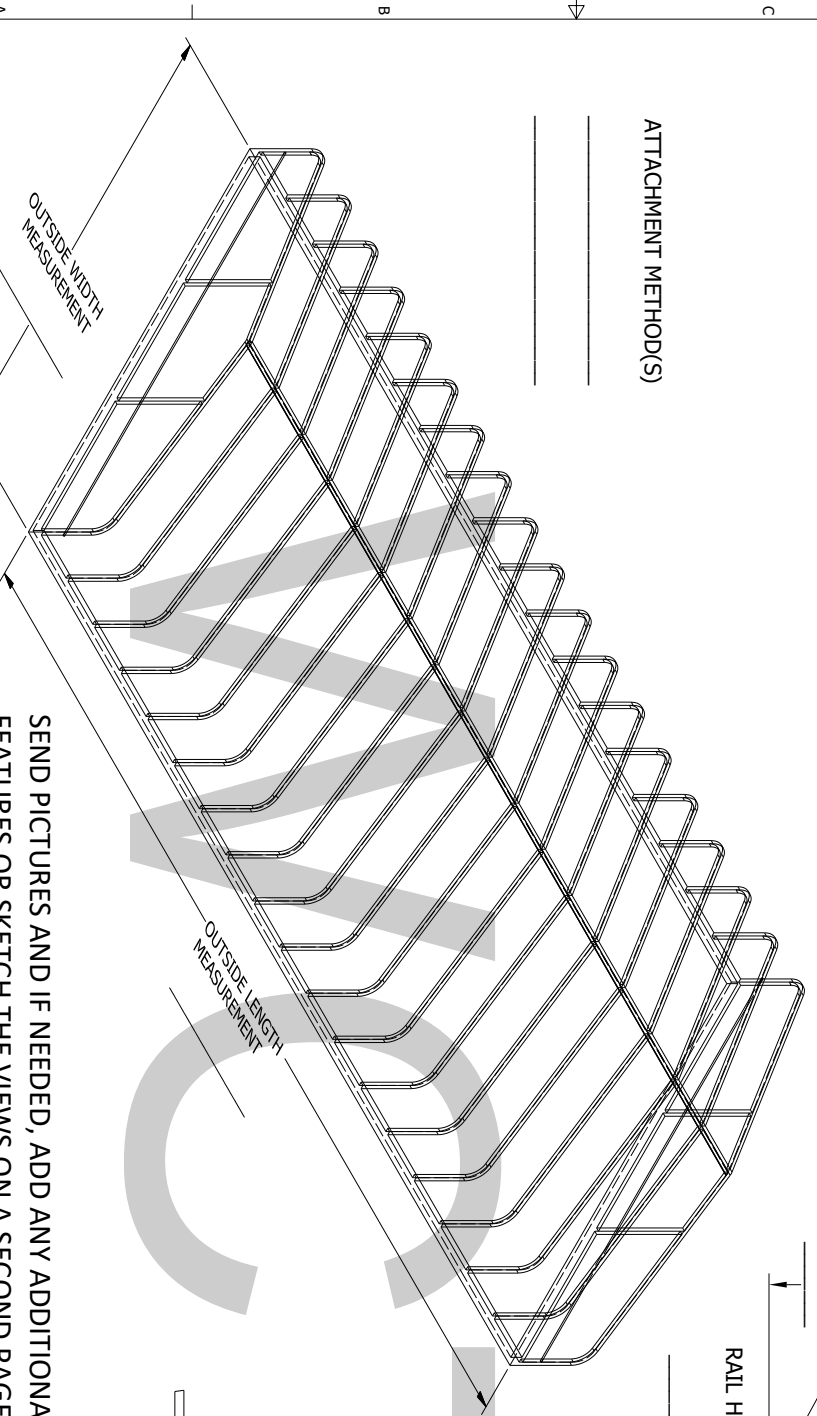
- A _____ OVERALL LENGTH OF FRAME
- B _____ INSIDE WIDTH OF FRAME
- C _____ LENGTH OF SIDE RAILS (W/O ENDS)
- E _____ OUTSIDE WIDTH OF FRAME
- _____ COLOR CODE

NOTES

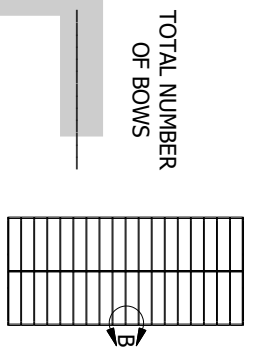
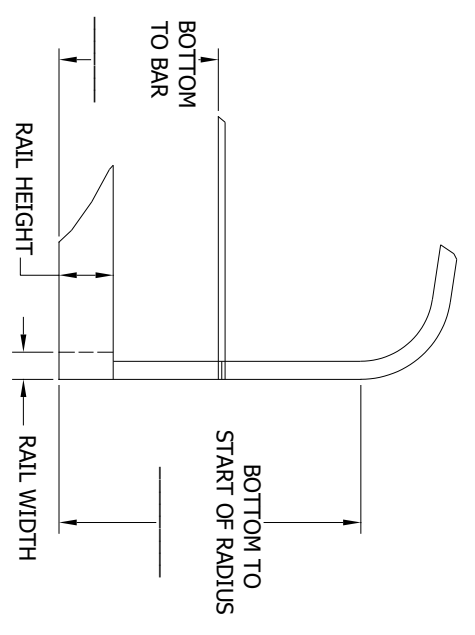
REVISIONS				ISSUER
REV	ECN	DATE	DESCRIPTION	RML
A	EC-00852	4/23/2019	RELEASE	



ATTACHMENT METHOD(S)



SEND PICTURES AND IF NEEDED, ADD ANY ADDITIONAL FEATURES OR SKETCH THE VIEWS ON A SECOND PAGE.



TOLERANCES - UNLESS NOTED

DECIMAL FRACTION
ANGLE F



TITLE: CRAFTLANDER HIGH TOP FRAME DETAIL SHEET

DRAWN BY: Robert Lambert
ENGINEER: CRH

DATE: 4/23/2019

SCALE

SHEET 1

PART NO: F-170

SIZE C