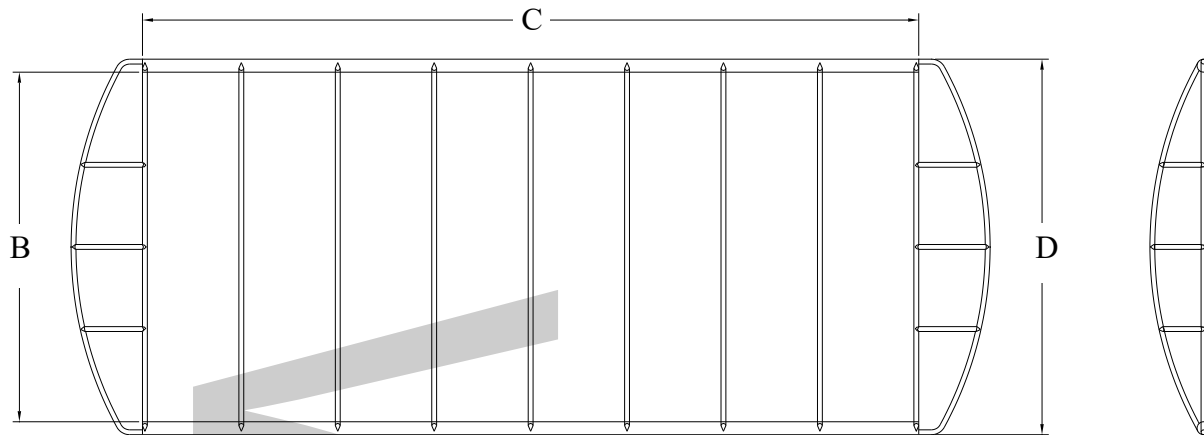


Call Steve: 721-448-0521



Shorestation™ Midwest Steel Frame



***ALL MEASUREMENTS (±1")**

PART NO.	SIZE	INSIDE WIDTH "B"	SIDE RAIL LENGTH "C"	OUTSIDE WIDTH "D"
MS1900082	19' X 82"	82"	16' 4"	89"
MS1900098	19' X 98"	98"	16' 4"	105"
MS2100098	21' X 98"	98"	18' 4"	105"
MS2300098	23' X 98"	98"	20' 4"	105"
MS2300110	23' X 110"	110"	20' 4"	117"

****If dimensions don't match above, fill out detail on next page**

ATTACHMENT

Continuous bungee on each side and end connect by s-hook to holes punched in each bow

OR

Continuous bungee loops over plastic pucks at each bow

STANDARD VALANCE: 20" VALANCE

OUTSIDE DIMENSIONS

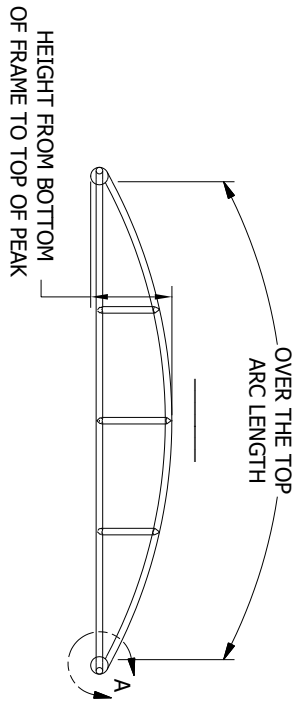
- A _____ OVERALL LENGTH OF FRAME
- B _____ INSIDE WIDTH OF FRAME
- C _____ LENGTH OF SIDE RAILS (W/O ENDS)
- D _____ OUTSIDE WIDTH OF FRAME

CONTACT INFORMATION

Name _____
 Address _____
 City _____ State _____ Zip _____
 Phone _____ Fax _____
 Boat Lift Brand _____

NOTES

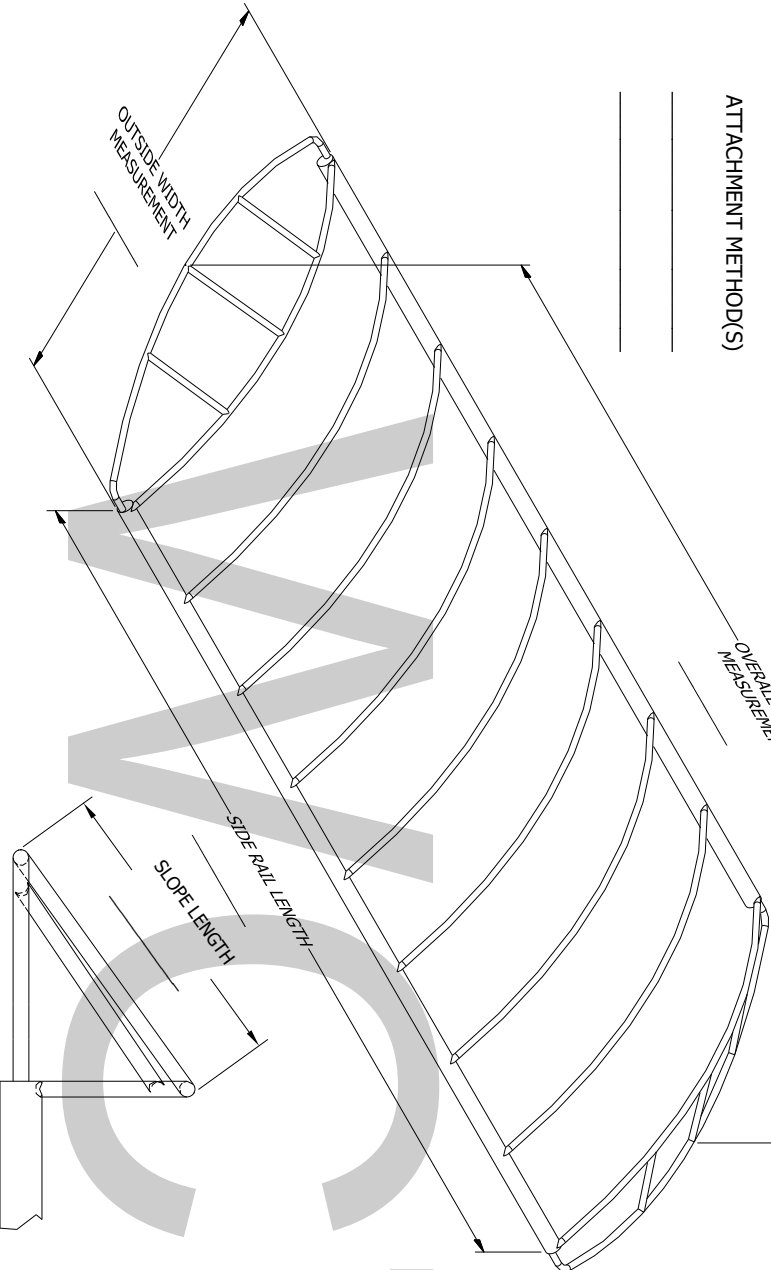
REVISIONS				ISSUER
REV	ECN	DATE	DESCRIPTION	RML
A	EC-00469	10/4/2016	RELEASE	



ATTACHMENT METHOD(S)

OVERALL LENGTH MEASUREMENT

SEND PICTURES AND IF NEEDED, ADD ANY ADDITIONAL FEATURES OR SKETCH THE VIEWS ON A SECOND PAGE.



LOOKING AT END CAP FROM SIDE MEASURE ON CENTERLINE

DETAIL A TOP VIEW

END OF SIDE RAIL TO START OF RADIUS

DETAIL A

FRAME HEIGHT

TOTAL NUMBER OF BOWS

SPACING OF BOWS

DETAIL B

TOLERANCES - UNLESS NOTED

DECIMAL #

FRACTION #

ANGLE #

NOTICE



TITLE: **ROUNDED END FRAME DETAIL SHEET**

DATE: 4/10/2014

DATE: 10/10/2016

SCALE: 1/1

SHEET: 1/1

PART NO: F-135

SIZE: C