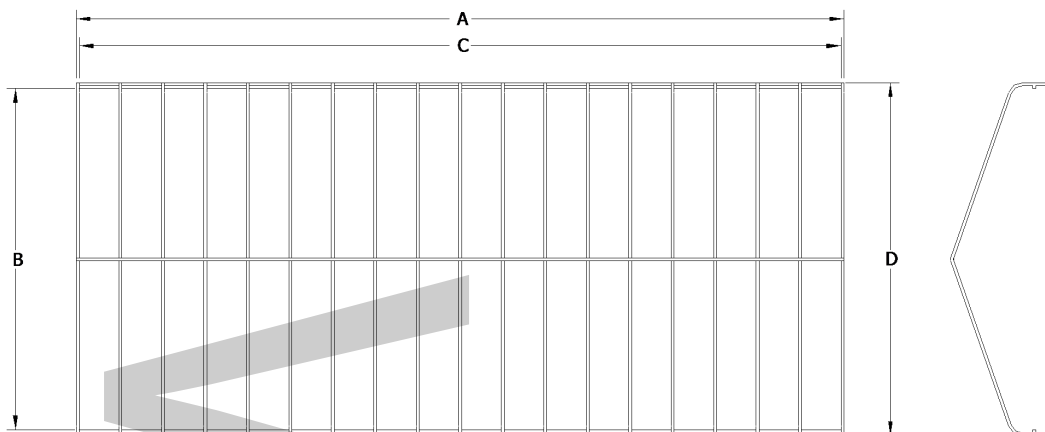


Call Steve: 712-448-0521



Beach King® Tower Frame



***ALL MEASUREMENTS (±1")**

PART NO.	SIZE	OVERALL LENGTH "A"	INSIDE WIDTH "B"	SIDE RAIL LENGTH "C"	OUTSIDE WIDTH "E"
BKT2300114	23' x 114"	23'	114"	22' 10"	118"
BKT2600114	26' x 114"	26'	114"	25' 10"	118"
BKT2300120	23' x 120"	23'	120"	22' 10"	128"
BKT2600120	26' x 120"	26'	120"	25' 10"	128"
BKT2900120	29' x 120"	29'	120"	28' 10"	128"

ATTACHMENT

The male buckle wraps around the bottom of the canopy frame while the female buckle wraps around the top of the canopy frame.

STANDARD VALANCE: 6" DROP

****If dimensions don't match above, fill out detail on next page**

OUTSIDE DIMENSIONS

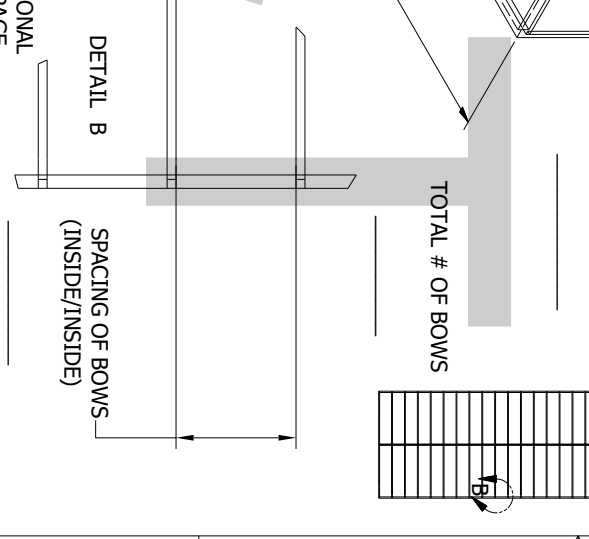
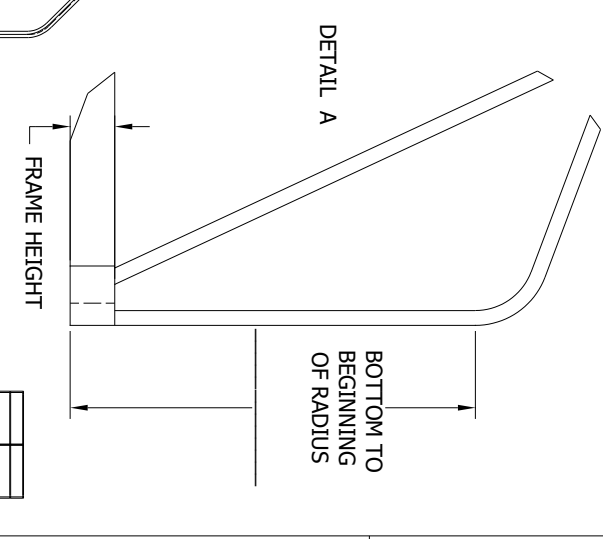
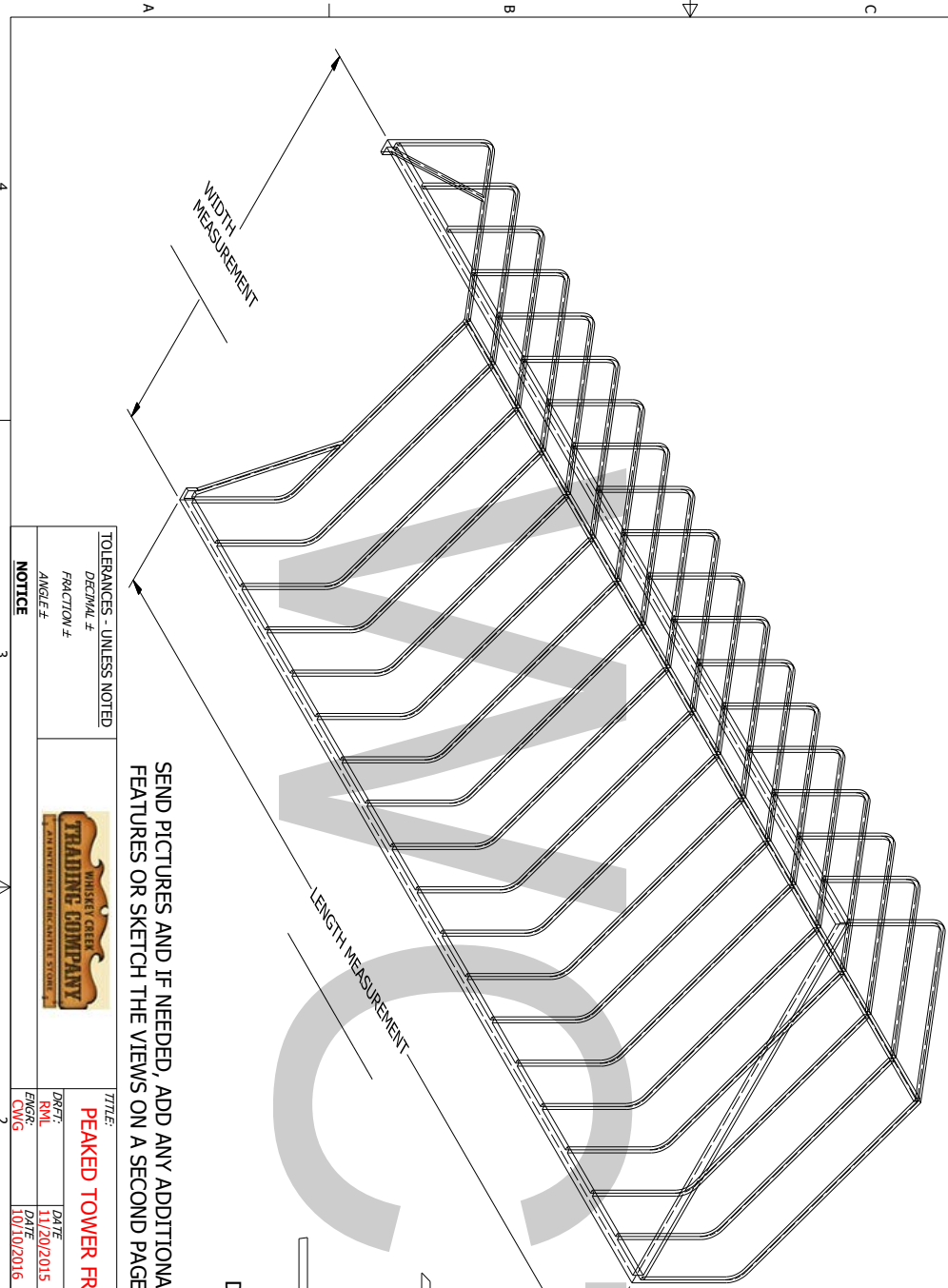
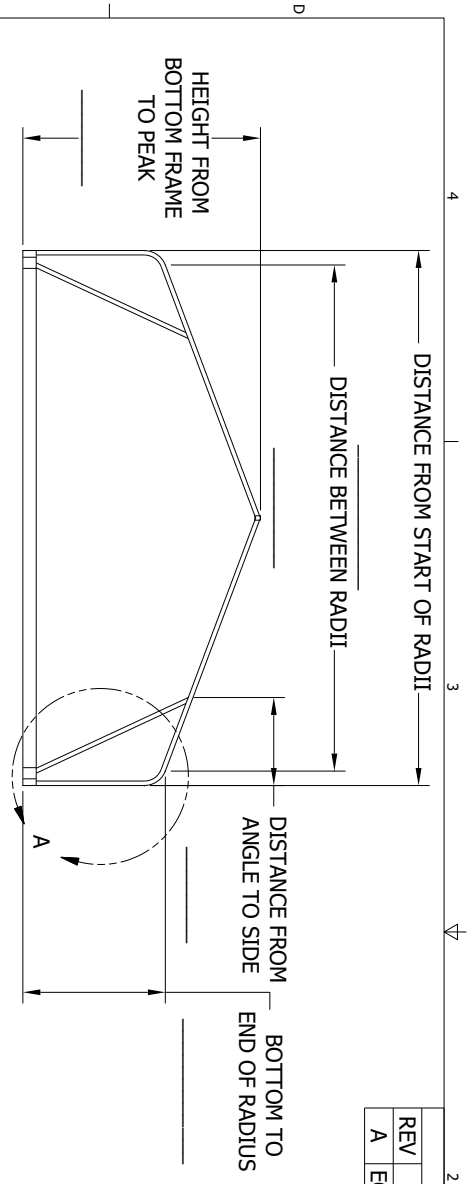
- A _____ OVERALL LENGTH OF FRAME
- B _____ INSIDE WIDTH OF FRAME
- C _____ LENGTH OF SIDE RAILS (W/O ENDS)
- D _____ OUTSIDE WIDTH OF FRAME

CONTACT INFORMATION

Name _____
 Address _____
 City _____ State _____ Zip _____
 Phone _____ Fax _____
 Boat Lift Brand _____

NOTES

REVISIONS				ISSUER
REV	ECN	DATE	DESCRIPTION	RML
A	EC-00469	10/4/2016	RELEASE	RML



SEND PICTURES AND IF NEEDED, ADD ANY ADDITIONAL FEATURES OR SKETCH THE VIEWS ON A SECOND PAGE.

TOLERANCES - UNLESS NOTED
 DECIMAL #
 FRACTION #
 ANGLE #
 NOTICE



TITLE: **PEAKED TOWER FRAME DETAIL SHEET**
 DWT: RML DATE: 11/20/2015 SCALE: SHEET: 1 OF 1 PART NO.: F-139
 ENG: RML DATE: 10/10/2016

SIZE: **C**