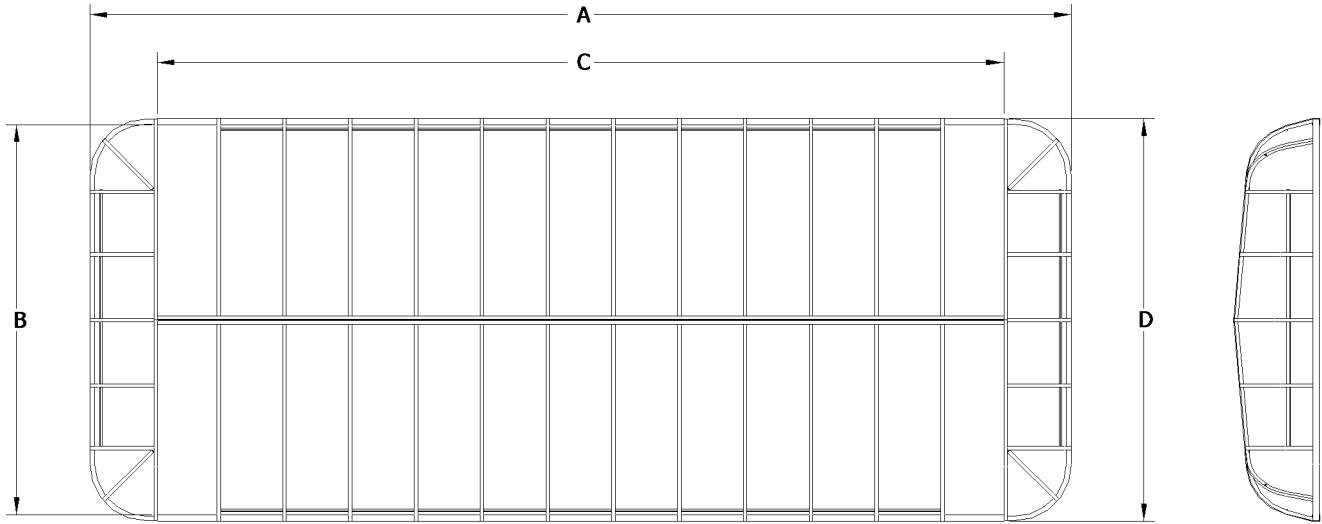


Attn: Whiskey Creek Trading

**Shoremaster® Frame
Specification Sheet**



***ALL MEASUREMENTS (±1")**

PART NO.	SIZE	OVERALL LENGTH "A"	INSIDE WIDTH "B"	SIDE RAIL LENGTH "C"	OUTSIDE WIDTH "D"
SM1000055	10' X 55"	10' 4"	55 1/2"	7' 8 7/8"	58 3/8"
SM1000110	10' X 110"	10' 4"	120 1/2"	6' 10 5/8"	115"
SM1300064	13' X 64"	13' 1-1/2"	65"	9' 10"	68 1/2"
SM1900084	19' X 84"	19'	84"	15' 10"	84"
SM1900096	19' X 96"	19'	96"	15' 10"	84"
SM2100096	21' X 96"	21'	96"	17' 10"	99 1/2"
SM2300100	23' X 100"	23'	100"	19' 10"	103 1/2"
SM1900108	19' X 108"	19' 1-1/2"	108 1/2"	15' 10"	112"
SM2100108	21' X 108"	21' 1-1/2"	108 1/2"	17' 10"	112"
SM2300108	23' X 108"	23' 1-1/2"	108 1/2"	19' 10"	112"
SM2500108	25' X 108"	25' 1-1/2"	108 1/2"	21' 10"	112"
SM2700108	27' X 108"	27' 2-1/2"	108 1/2"	23' 10"	112"
SM2900108	29' X 108"	29' 1-1/2"	108 1/2"	25' 10"	112"
SM2100120	21' X 120"	21' 1-1/2"	120 1/2"	17' 10"	124"
SM2300120	23' X 120"	23' 1-1/2"	120 1/2"	19' 10"	124"
SM2500120	25' X 120"	25' 1-1/2"	120 1/2"	21' 10"	124"
SM2700120	27' X 120"	27' 1-1/2"	120 1/2"	23' 10"	124"
SM2900120	29' X 120"	29' 1-1/2"	120 1/2"	25' 10"	124"
SM3100120	31' X 120"	31' 1-1/2"	120 1/2"	27' 10"	124"
SM3300120	33' X 120"	33' 1-1/2"	120 1/2"	29' 10"	124"

ATTACHMENT

Hooked bungee connects to aluminum bar welded across bows.

STANDARD VALANCE: 12" VALANCE

OUTSIDE DIMENSIONS

- A _____ OVERALL LENGTH OF FRAME
- B _____ INSIDE WIDTH OF FRAME
- C _____ LENGTH OF SIDE RAILS (W/O ENDS)
- D _____ OUTSIDE WIDTH OF FRAME

CONTACT INFORMATION

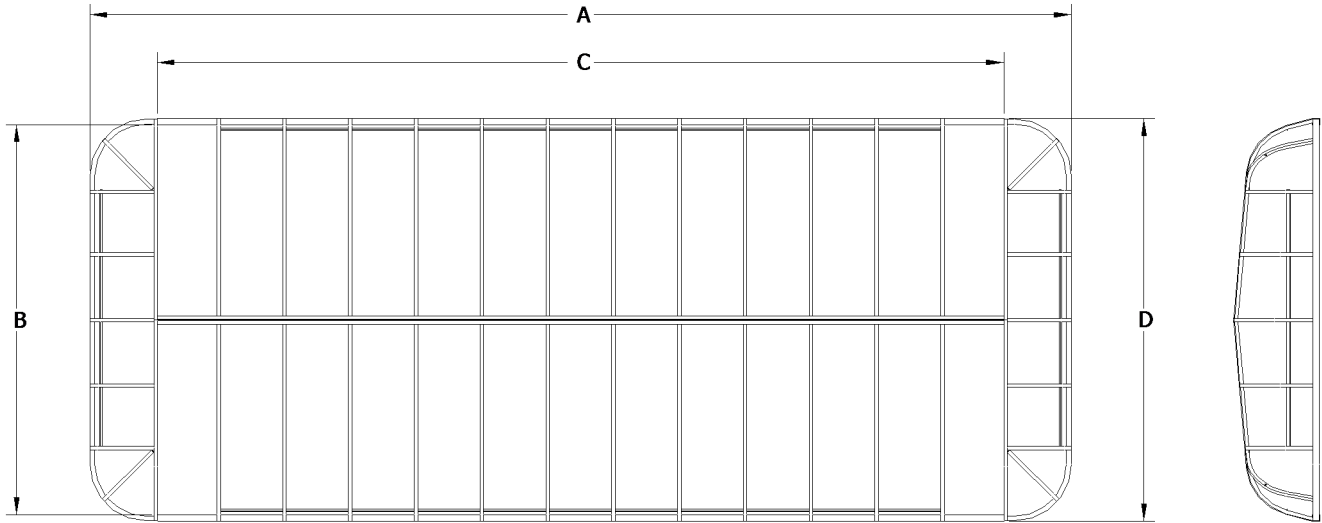
Name _____
 Address _____
 City _____ State _____ Zip _____
 Phone _____ Fax _____
 Boat Lift Brand _____

NOTES

****If dimensions don't match above,
fill out detail sheet on page 3****

Attn: Whiskey Creek Trading

**Shoremaster® Frame
Specification Sheet**



***ALL MEASUREMENTS (±1")**

PART NO.	SIZE	OVERALL LENGTH "A"	INSIDE WIDTH "B"	SIDE RAIL LENGTH "C"	OUTSIDE WIDTH "D"
SM2700132	27' X 132"	27'	132"	23' 10"	135 1/2"
SM2900132	29' X 132"	29'	132"	25' 10"	135 1/2"
SM3100132	31' X 132"	31'	132"	27' 10"	135 1/2"
SM3300132	33' X 132"	33'	132"	29' 10"	135 1/2"
SM3500132	35' X 132"	35'	132"	31' 10"	135 1/2"

ATTACHMENT

Hooked bungee connects to aluminum bar welded across bows.

STANDARD VALANCE: 12" VALANCE

****If dimensions don't match above, fill out detail sheet on page 3****

OUTSIDE DIMENSIONS

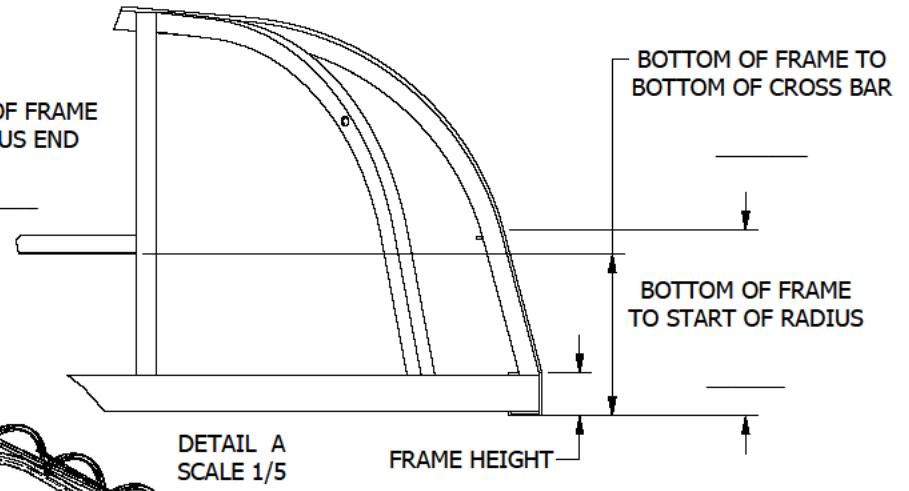
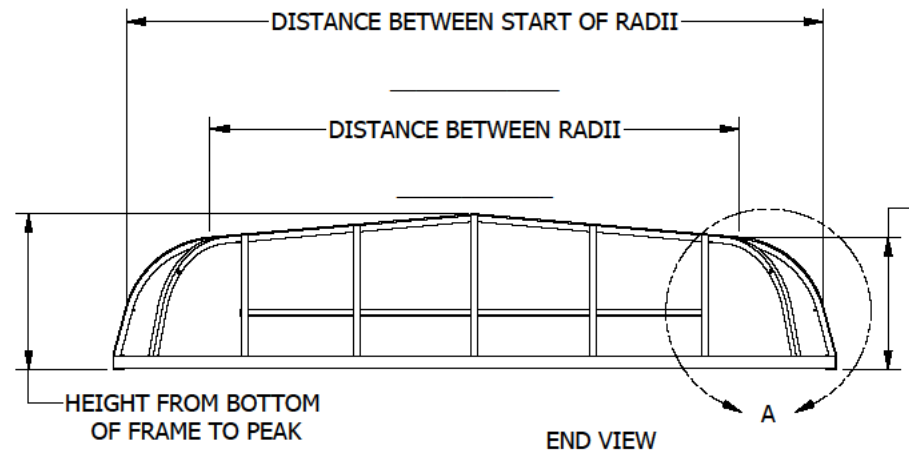
- A _____ OVERALL LENGTH OF FRAME
- B _____ INSIDE WIDTH OF FRAME
- C _____ LENGTH OF SIDE RAILS (W/O ENDS)
- D _____ OUTSIDE WIDTH OF FRAME

CONTACT INFORMATION

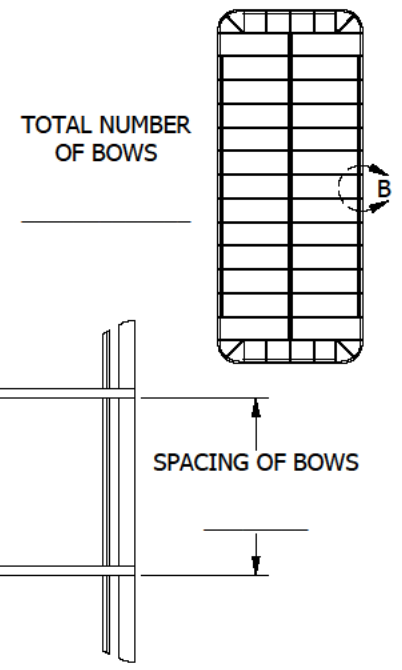
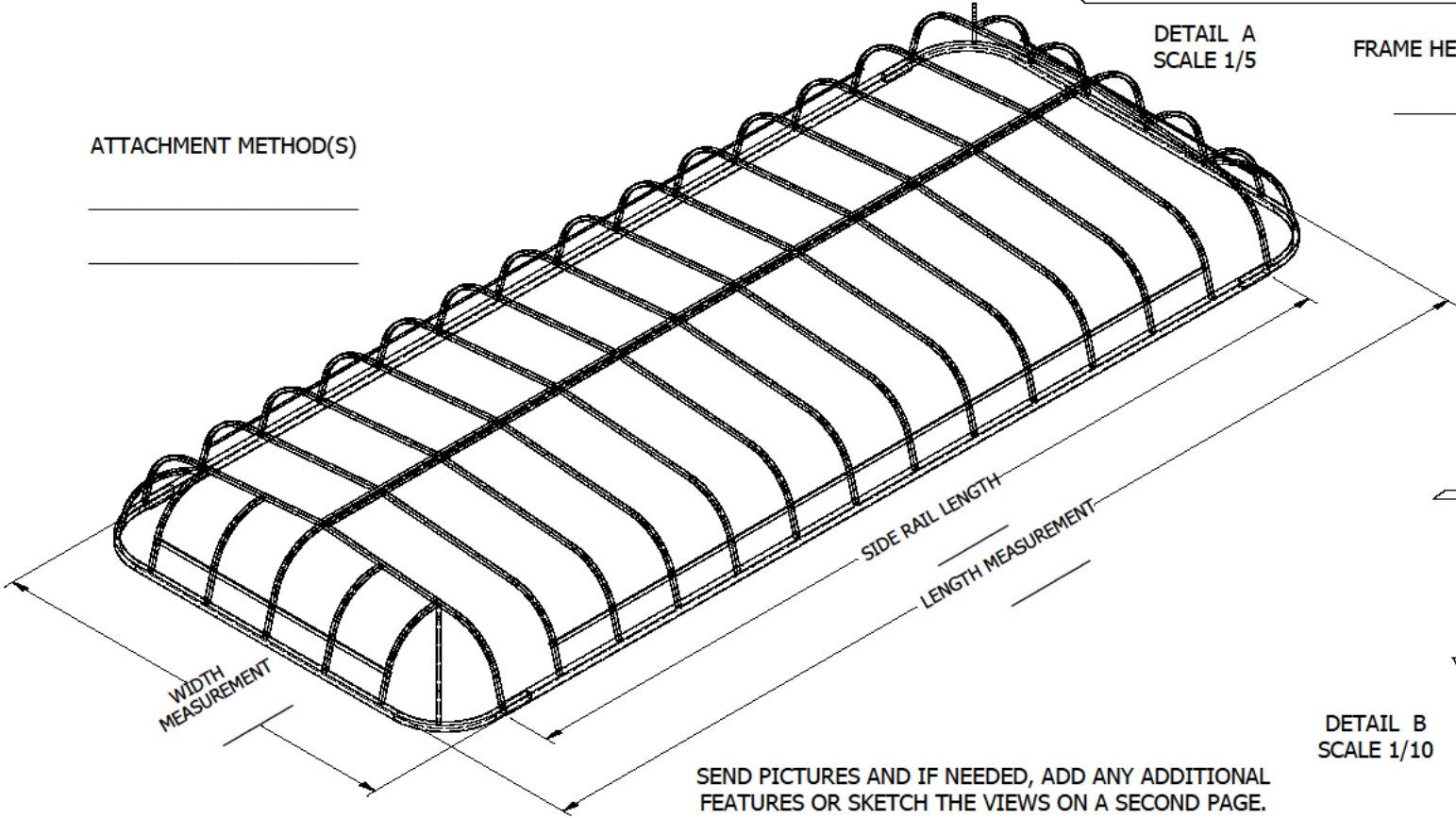
Name _____
 Address _____
 City _____ State _____ Zip _____
 Phone _____ Fax _____
 Boat Lift Brand _____

NOTES

REVISIONS				
REV	ECN	DATE	DESCRIPTION	ISSUER
A	EC-00469	10/4/2016	RELEASE	RML



ATTACHMENT METHOD(S)



SEND PICTURES AND IF NEEDED, ADD ANY ADDITIONAL FEATURES OR SKETCH THE VIEWS ON A SECOND PAGE.

TOLERANCES - UNLESS NOTED
 DECIMAL ±
 FRACTION ±
 ANGLE ±
NOTICE



1314 Walnut St. - Springfield, SD 57062 605-369-6000

THIS ILLUSTRATION IS THE PROPERTY OF RUSH-CO, AND MUST NOT BE USED IN ANY WAY DETRIMENTAL TO RUSH-CO'S INTERESTS.

TITLE: ROUND CORNER FRAME DETAIL SHEET			SIZE C
DRFT: RML	DATE 4/2/2014	SCALE	SHEET 1
ENGR: CWG	DATE 10/10/2016		PART NO: F-134