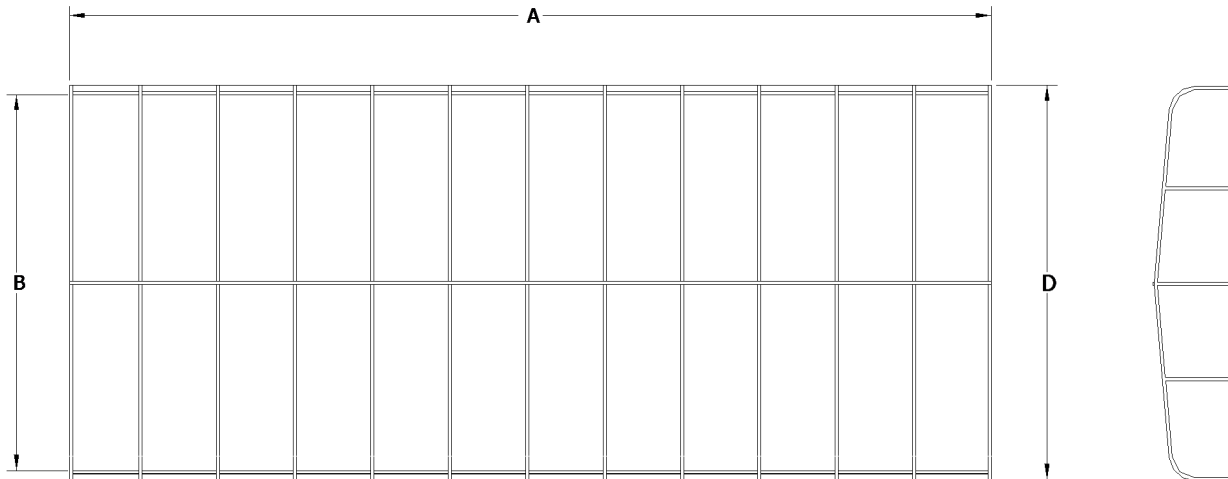


Attn: Whiskey Creek Trading Co.

**RGC® Frame Specification Sheet**



**\*ALL MEASUREMENTS (±1")**

PART NO.	SIZE	OVERALL LENGTH "A"	INSIDE WIDTH "B"	OUTSIDE WIDTH "D"
RG1R2100108	21' X 108"	20' 9"	108 3/8"	112 3/8"
RG1R2400108	24' X 108"	23' 9"	108 3/8"	112 3/8"
RG1R2600108	26' X 108"	25' 9"	108 3/8"	112 3/8"
RG1R2800108	28' X 108"	28' 3"	108 3/8"	112 3/8"
RG1R3000108	30' X 108"	30' 3"	108 3/8"	112 3/8"
RG1R3200108	32' X 108"	32' 3"	108 3/8"	112 3/8"
RG1R2400116	24' X 116"	23' 9"	116"	120"
RG1R2600116	26' X 116"	25' 9"	116"	120"
RG1R2800116	28' X 116"	28' 3"	116"	120"
RG1R3000116	30' X 116"	30' 3"	116"	120"
RG1R3200116	32' X 116"	32' 3"	116"	120"
RG1R2400124	24' X 124"	23' 9"	124"	128"
RG1R2600124	26' X 124"	25' 9"	124"	128"
RG1R2800124	28' X 124"	28' 3"	124"	128"
RG1R3000124	30' X 124"	30' 3"	124"	128"

**ATTACHMENT**

Continuous bungee is strung through d-rings and hooked with s-hooks

STANDARD VALANCE: 12" VALANCE

PEAK HEIGHT WILL BE 28"

**OUTSIDE DIMENSIONS**

- A \_\_\_\_\_ OVERALL LENGTH OF FRAME
- B \_\_\_\_\_ INSIDE WIDTH OF FRAME
- C \_\_\_\_\_ LENGTH OF SIDE RAILS (W/O ENDS)
- D \_\_\_\_\_ OUTSIDE WIDTH OF FRAME

**CONTACT INFORMATION**

Name \_\_\_\_\_  
 Address \_\_\_\_\_  
 City \_\_\_\_\_ State \_\_\_\_\_ Zip \_\_\_\_\_  
 Phone \_\_\_\_\_ Fax \_\_\_\_\_  
 Boat Lift Brand \_\_\_\_\_

**\*\*If dimensions don't match above, fill out detail sheet on page 2\*\***

**NOTES**

---

---

---

---

---

---

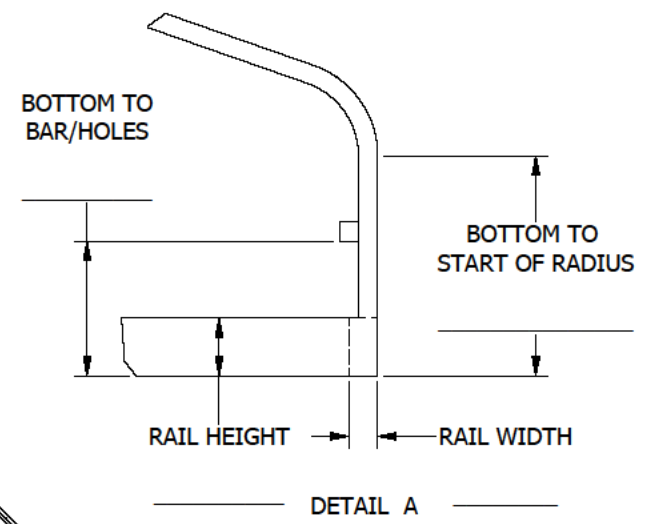
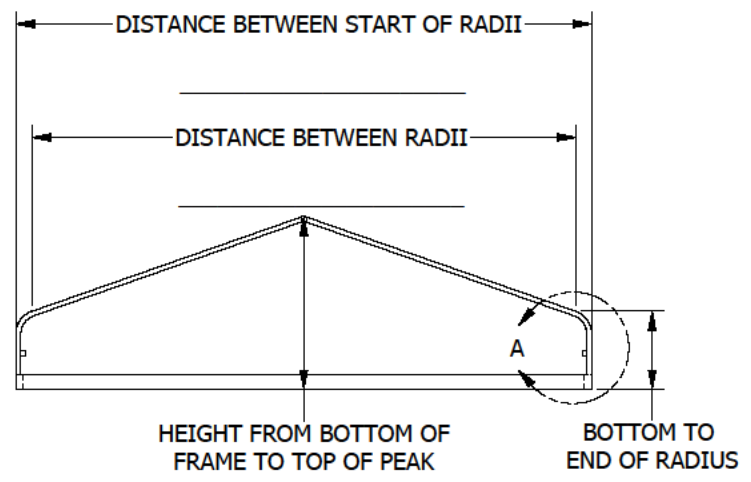
---

---

---

---

REVISIONS				
REV	ECN	DATE	DESCRIPTION	ISSUER
A	EC-00469	10/4/2016	RELEASE	RML

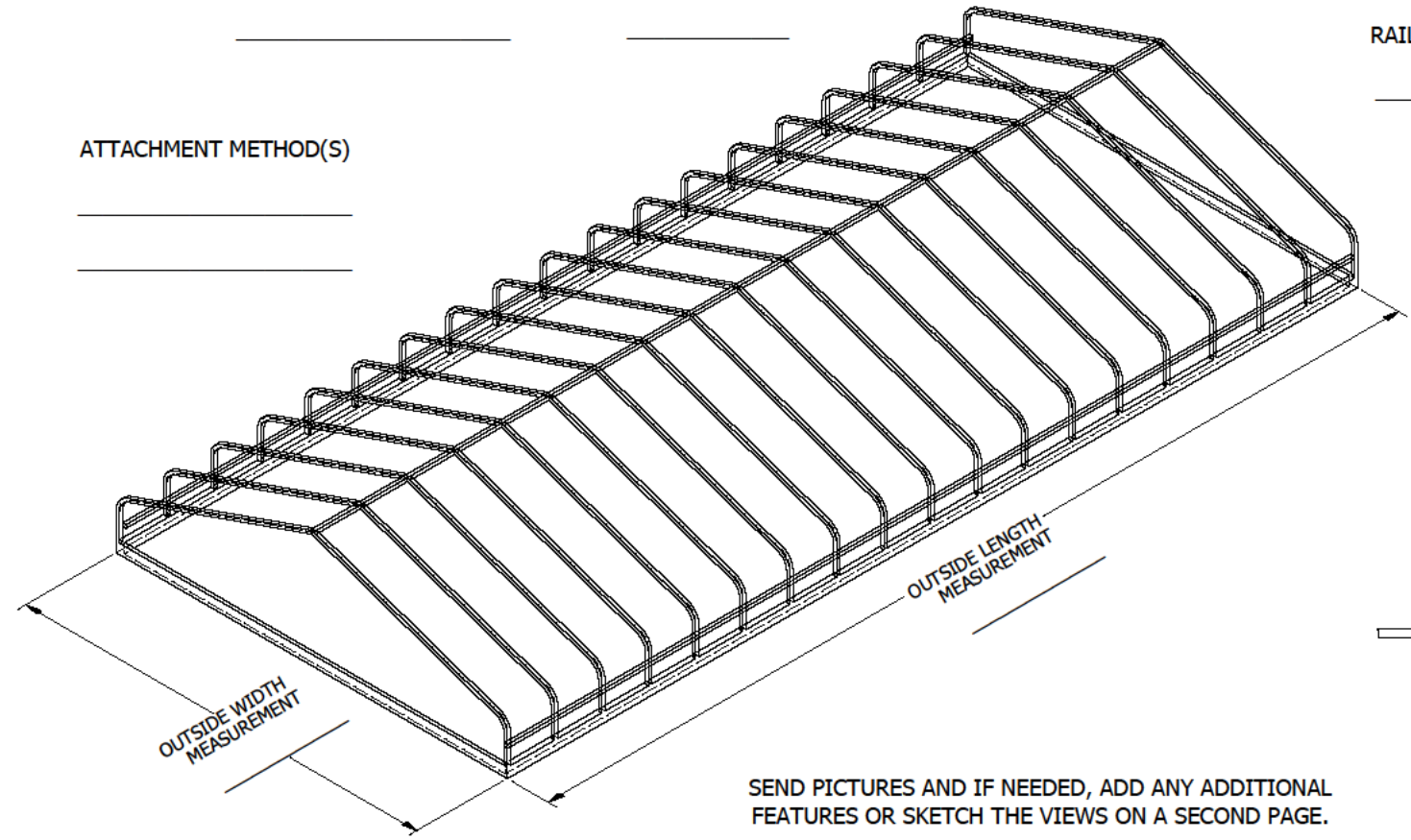
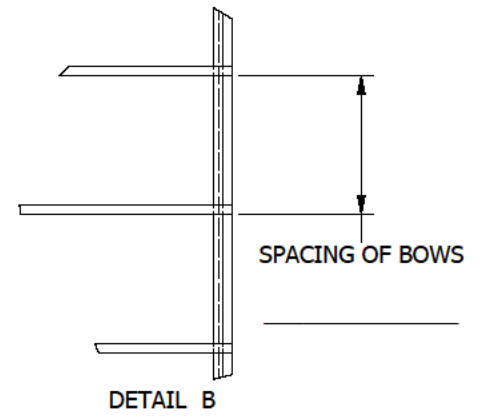
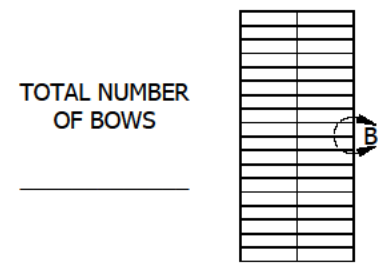


ATTACHMENT METHOD(S)

---



---



SEND PICTURES AND IF NEEDED, ADD ANY ADDITIONAL FEATURES OR SKETCH THE VIEWS ON A SECOND PAGE.

TOLERANCES - UNLESS NOTED		TITLE:			SIZE
DECIMAL ±		PEAKED FLUSHED END FRAME DETAIL SHEET			C
FRACTION ±		DRFT:	DATE:	SCALE:	SHEET:
ANGLE ±		RML	10/4/2016		1
		ENGR:	DATE:		1
		CWG	10/10/2016		
		PART NO:			
		F-133			