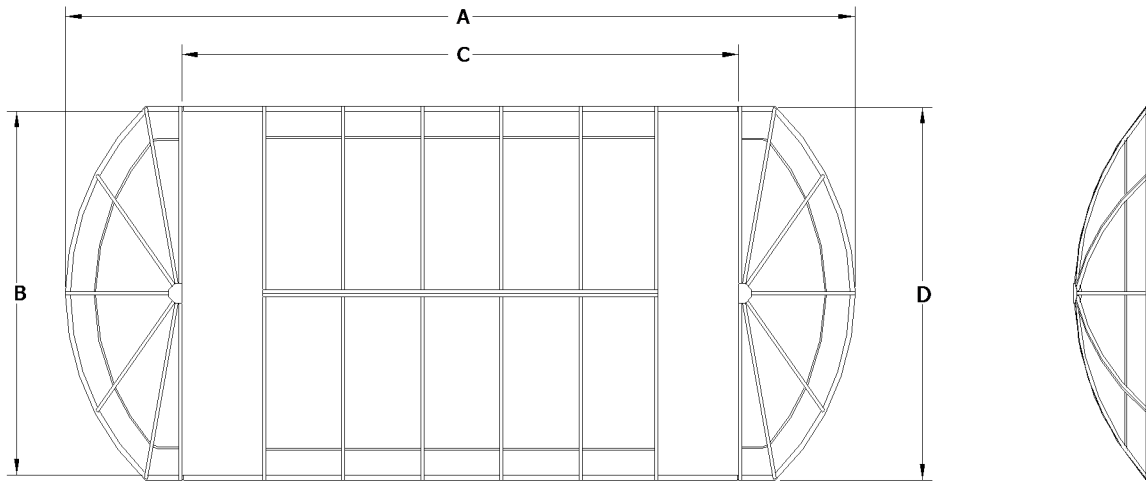


Attn: Whiskey Creek Trading Co.

**Newmans/Lund Frame  
Specification Sheet**



**\*ALL MEASUREMENTS (±1")**

PART NO.	SIZE	OVERALL LENGTH "A"	INSIDE WIDTH "B"	SIDE RAIL LENGTH "C"	OUTSIDE WIDTH "D"
NM1200054	12' X 54"	12' 1/2"	56 1/4"	6'	59 1/4"
NM1600084	16' X 84"	16' 1/2"	86 1/4"	10'	89 1/4"
NM2000084	20' X 84"	20' 1/2"	86 1/4"	14'	89 1/4"
NM2000096	20' X 96"	20' 1/2"	98 1/4"	14'	101 1/4"
NM2400096	24' X 96"	24' 1/2"	98 1/4"	18'	101 1/4"
NM2000108	20' X 108"	20' 1/2"	110 1/4"	14'	113 1/4"
NM2200108	22' X 108"	22' 1/2"	110 1/4"	16'	113 1/4"
NM2400108	24' X 108"	24' 1/2"	110 1/4"	18'	113 1/4"
NM2600108	26' X 108"	26' 1/2"	110 1/4"	20'	113 1/4"
NM2800108	28' X 108"	28' 1/2"	110 1/4"	22'	113 1/4"
NM2400120	24' X 120"	24' 1/2"	122 1/2"	18'	125 1/2"
NM2600120	26' X 120"	26' 1/2"	122 1/2"	20'	125 1/2"
NM2800120	28' X 120"	28' 1/2"	122 1/2"	22'	125 1/2"
NM3000120	30' X 120"	30' 1/2"	122 1/2"	24'	125 1/2"

**ATTACHMENT**

Hooked bungee connects to aluminum bar welded across bows.

STANDARD VALANCE: 12" VALANCE

**OUTSIDE DIMENSIONS**

- A \_\_\_\_\_ OVERALL LENGTH OF FRAME
- B \_\_\_\_\_ INSIDE WIDTH OF FRAME
- C \_\_\_\_\_ LENGTH OF SIDE RAILS (W/O ENDS)
- D \_\_\_\_\_ OUTSIDE WIDTH OF FRAME

**\*\*If dimensions don't match above, fill out detail sheet on page 2\*\***

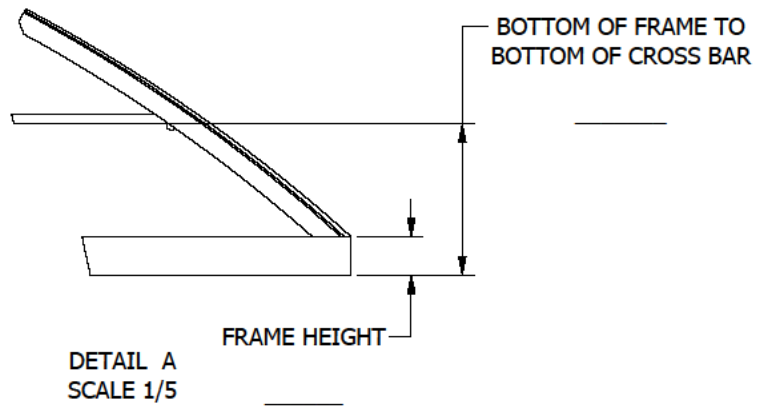
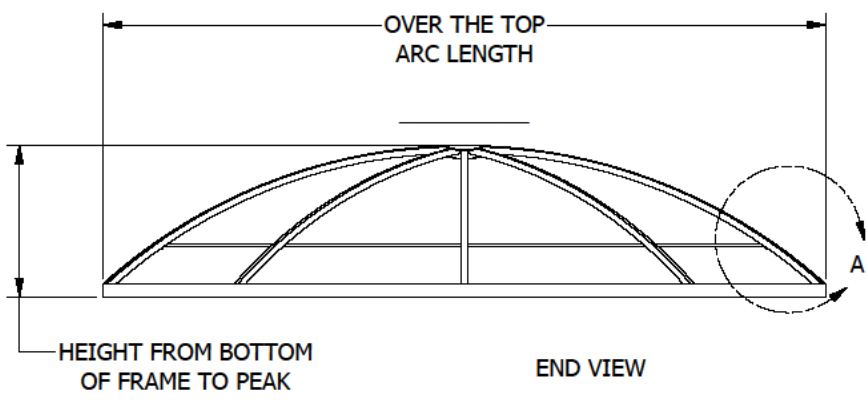
**CONTACT INFORMATION**

Name \_\_\_\_\_  
 Address \_\_\_\_\_  
 City \_\_\_\_\_ State \_\_\_\_\_ Zip \_\_\_\_\_  
 Phone \_\_\_\_\_ Fax \_\_\_\_\_  
 Boat Lift Brand \_\_\_\_\_

**NOTES**

\_\_\_\_\_  
 \_\_\_\_\_  
 \_\_\_\_\_

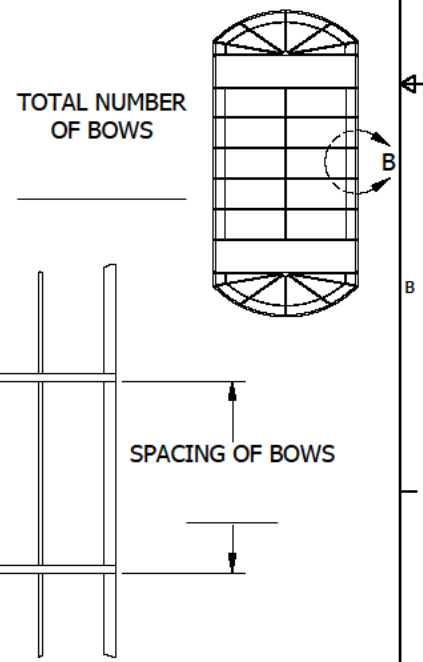
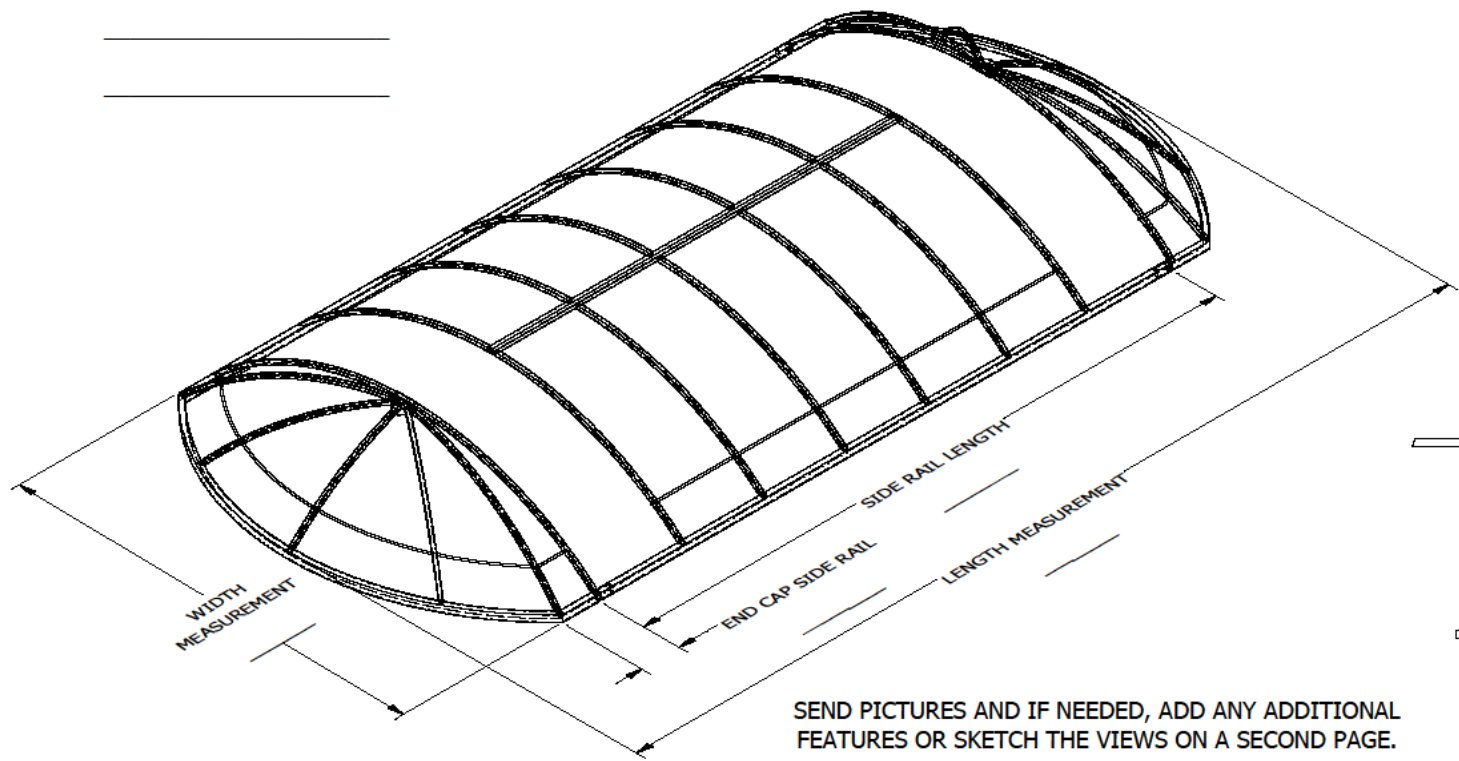
REVISIONS				
REV	ECN	DATE	DESCRIPTION	ISSUER
A	EC-00469	10/4/2016	RELEASE	RML
B	EC-00754	8/20/2018	ADDED DIM	RML



ATTACHMENT METHOD(S)

\_\_\_\_\_

\_\_\_\_\_



SEND PICTURES AND IF NEEDED, ADD ANY ADDITIONAL FEATURES OR SKETCH THE VIEWS ON A SECOND PAGE.

TOLERANCES - UNLESS NOTED	
DECIMAL	±
FRACTION	±
ANGLE	±

TITLE: <b>NEWMANS/LUND STYLE FRAME DETAIL SHEET</b>				SIZE <b>C</b>
DRFT: <b>RML</b>	DATE: <b>8/6/2013</b>	SCALE	SHEET <b>1</b>	PART NO: <b>F-138</b>
ENGR: <b>CWG</b>	DATE: <b>10/10/2016</b>		<b>1</b>	